

Features

- SPLIT – indoor and outdoor units
- WIFI module internal
- Refrigerent R32
- High efficiency A++ (chłodzenie), A+ (grzanie)
- Inverter control
- Remote control
- Safe anti-fire construction
- Self-cleaning
- 6-fan speed
- Parents control
- ECO mode
- Easy washable filter
- 3D AIR FLOW



Photo





SPLIT AIR Conditioner

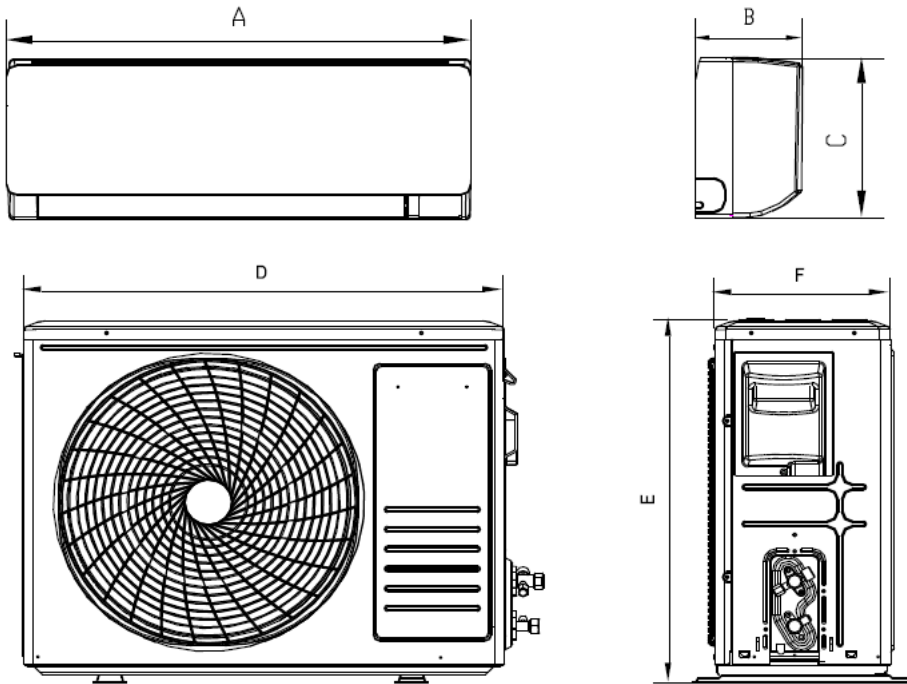
Specification

MODEL	ALFA 12K WIFI	ALFA 18K WIFI	ALFA 24K WIFI
CAPACITY:	12 BTU/h	18 BTU/h	24 BTU/h
HEATING/COOLING PARAMETERS			
REFRIGERENT: Charge: Equivalent CO ₂	R32 0,55kg 0,372t	R32 0,92kg 0,621t	R32 1,06kg 0,7161t
EFFICIENCY:	SEER: 6,5 SCOP: 4,8	SEER: 6,3 SCOP: 4,7	SEER: 6,5 SCOP: 4,6
AIR FLOW (indoor.):	550m ³ /h	800m ³ /h	970m ³ /h
CAPACITY:	Cooling: 3500W Heating: 3520W	Cooling: 5130W Heating: 5230W	Cooling: 6810W Heating: 68700W
CAPACITY RANGE:	Cooling: 1000...3870W Heating: 1000...3950W	Cooling: 1250...5920W Heating: 1350...6280W	Cooling: 1830...7810W Heating: 1850...7930W
MAX. PRESSURE:	Discharge: 3,7MPa Suction: 1,2Mpa	Discharge: 3,7MPa Suction: 1,2Mpa	Discharge: 3,7MPa Suction: 1,2Mpa
ACUSTIC PARAMETERS			
	Indoor: 50dB(A) Outdoor: 60dB(A)	Indoor: 53dB(A) Outdoor: 65dB(A)	Indoor: 54dB(A) Outdoor: 67dB(A)
ELECTRICAL PARAMETERS			
SUPPLY:	230VAC 50Hz		
POWER INPUT:	Cooling: 1,04kW Heating: 1,02kW	Cooling: 1,53kW Heating: 1,55kW	Cooling: 1,98kW Heating: 2,05kW
CURRENT:	Cooling: 4,5A Heating: 4,4A	Cooling: 7,2A Heating: 7,3A	Cooling: 8,9A Heating: 9A
DIMMENSIONS			
Indoor unit	777 x 250 x 205mm	910 x 292 x 205mm	1010 x 315 x 220mm
Outdoor unit	712 x 498 x 234mm	794 x 602 x 288mm	845 x 693 x 336mm
WEIGHT:	Wewn: 8,5kg Zewn: 22kg	Wewn: 10kg Zewn: 36kg	Wewn: 13kg Zewn: 46kg
SMARTPHONE APPLICATION			
Android IOS	SmartLife		

Dimmensions

	A	B	C	D	E	F
ALFA 12K WIFI	777mm	250mm	205mm	712mm	498mm	234mm
ALFA 18K WIFI	910mm	292mm	205mm	794mm	602mm	288mm
ALFA 24K WIFI	1010mm	315mm	220mm	845mm	693mm	336mm

Technical drawing



Efficiency label

